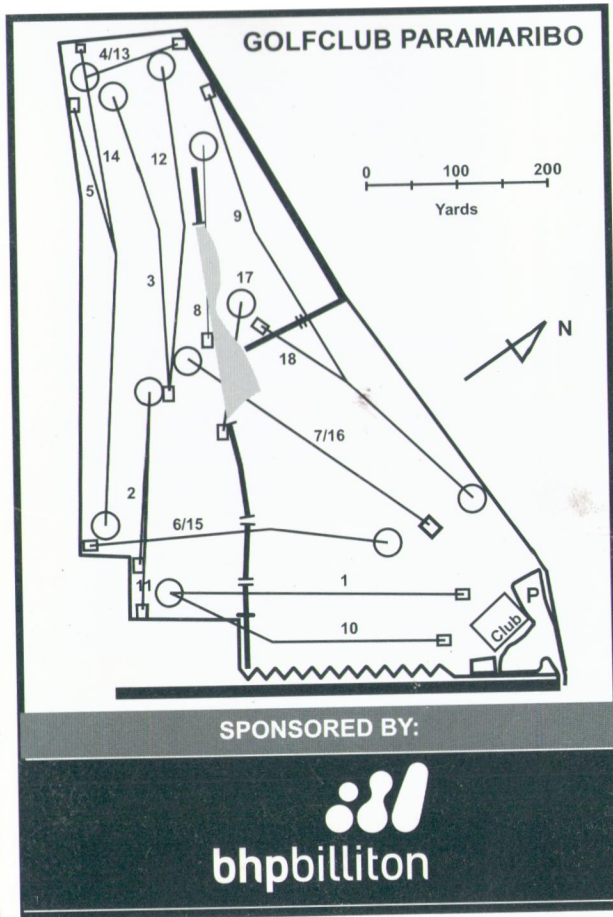


5. IN CASE OF INTERFERENCE (RULE 24-2A) BY YOUNG TREES (PLANTS) (MARKED BY BLUE RIBBON) THE PLAYER MUST TAKE RELIEF UNDER RULE 24-2B.
(SEE EXC. TO RULE 24-2B)
6. ISLAND IN LATERAL WATER HAZARD BETWEEN FAIRWAYS 8 AND 12, AND 9 AND 12, IS PART OF THE LATERAL WATER HAZARD.
7. BALL ON PUTTING GREEN MAY NOT BE MOVED, EXCEPT WHEN THE INTENDED LINE OF PUTT CROSSES AN AREA MARKED WITH BLUE LINES.
8. ON THE PUTTING GREEN, SWELLS CAUSED BY ANTS, BURROWING ANIMALS ETC. INTERFERING WITH INTENDED LINE OF PUTT MAY BE REMOVED OR PRESSED DOWN.
9. WATER RESERVOIR IN THE ROUGH BETWEEN FAIRWAYS 6 AND 7 IS PART OF THE ROUGH.
10. THE AREA WITHIN 20 METERS FROM THE EDGE OF THE GREEN IS CONSIDERED FAIRWAY.
11. RULE 25-2, EMBEDDED BALL RULE EXTENDING THE RELIEF AREA, TO EVERYTHING *THROUGH THE GREEN*, INCLUDING THE ROUGH.
12. SUSPENSION OF PLAY – AN AIR HORN BLAST WILL BE SOUNDED TO SUSPEND PLAY. PLAYERS IN THE PROCESS OF PLAYING A HOLE MAY COMPLETE THE HOLE. PLAYERS IN BETWEEN THE PLAY OF TWO HOLES SHALL STOP PLAY IMMEDIATELY.

RAIN RULES

(EFFECTIVE ONLY WHEN POSTED)

IF A BALL IS LOST ON FAIRWAY BEING PLAYED, ANOTHER BALL MAY BE DROPPED AS CLOSE AS POSSIBLE TO THE SPOT WHERE THE ORIGINAL BALL WAS LOST, WITHOUT PENALTY. IN ALL OTHER CASES ANOTHER BALL MAY BE DROPPED WITH ONE PENALTY STROKE (NO DISTANCE PENALTY).



HANDICAP INDEX					
PLAYING HCP					
DATE:					
HOLE	MEN YARDS	MEN INDEX	PAR	LADIES YARDS	LADIES INDEX
1	326	13	4	290	5
2	197	15	3	185	15
3	340	11	4	257	11
4	101	17	3	101	17
5	474	3	5	408	3
6	347	5	4	260	7
7	331	7	4	236	9
8	218	9	3	166	13
9	554	1	5	478	1
OUT	2888		35	2381	
SIGNATURE					
competitors			marker		

HANDICAP INDEX					
PLAYING HCP					
DATE:					
HOLE	MEN YARDS	MEN INDEX	PAR	LADIES YARDS	LADIES INDEX
10	305	10	4	305	4
11	227	12	3	197	14
12	371	8	4	275	10
13	101	18	3	101	18
14	524	2	5	464	2
15	343	4	4	260	8
16	331	6	4	275	6
17	145	16	3	127	16
18	297	14	4	297	12
IN	2644		34	2301	
OUT	2888		35	2381	
TOT	5532		69	4682	
CR. MEN	66	HANDICAP			
SR. MEN	103				
CR. LADIES	66.1	NET SCORE			
SR. LADIES	103				

- U.S.G.A. RULES GOVERN ALL PLAY EXCEPT WHEN MODIFIED BY LOCAL RULES.
- FAIRWAYS ARE DEFINED BY GREEN AND WHITE STAKES.
- WATER HAZARDS ARE DEFINED BY YELLOW STAKES.
- LATERAL WATER HAZARDS ARE DEFINED BY RED STAKES.
- GROUND UNDER REPAIR IS DEFINED BY BLUE MARKERS.
- OUT OF BOUNDS DEFINED BY WHITE STAKES.

OUT OF BOUNDS

- ALL STONE WALLS DEFINING BOUNDARY OF THE GOLF COURSE.
- LEFT OUTER BORDERLINE OF PENALTY DITCH RUNNING ALONG #9/18 FAIRWAY, THERE AFTER STONE WALL UP TO AND PAST THE #9/18 GREEN.
- PARKING AREA AND CLUBHOUSE.

LOCAL RULES

- ON THE FAIRWAY OF THE HOLE BEING PLAYED ONLY, LIE OF BALL MAY BE IMPROVED WITHIN 6 INCHES, EITHER USING CLUB HEAD OR BY HAND (MARK, LIFT, CLEAN, PLACE) NOT NEARER THE HOLE. AFTER THE BALL HAS BEEN PLACED IT IS IN PLAY AND IF IT MOVES BEFORE PLAYER HAS ADDRESSED IT, IT SHALL BE REPLACED WITHOUT PENALTY.
- BALL IN CRACK, WHEEL TRACK, HOLE, OR INTERFERENCE FROM ANTHILLS, (RULE 25-1A APPLIES PLAYER MUST TAKE RELIEF UNDER RULE 25-1B). (SEE EXC. TO RULE 25-1B) BALL LOST IN CRACK (RULE 25-1C APPLIES).
- IF BALL LIES IN A SMALL IRRIGATION DITCH OR SUCH A DITCH INTERFERES WITH THE PLAYER'S STANCE:
 - A - IN YOUR OWN FAIRWAY BALL MAY BE LIFTED AND PLACED WITHIN ONE CLUB LENGTH NOT NEARER THE HOLE.
 - B - IN THE WRONG FAIRWAY BALL MAY BE LIFTED AND DROPPED WITHIN ONE CLUB LENGTH NOT NEARER THE HOLE.
 TO DETERMINE IF THE BALL IS IN THE DITCH, PLAYER SHOULD DRAW HORIZONTAL IMAGINARY LINE BETWEEN EITHER THE LOWEST LEFT OR LOWEST RIGHT TOP EDGE OF THE DITCH AND THE OTHER SIDE OF THE DITCH, IF THE BALL LIES COMPLETELY UNDER THE IMAGINARY LINE, PLAY AS 3A OR 3B.
- SUPPORTS OF CONCRETE WALLS (HOLE 10 AND 5/14), DISTANCE MARKERS, RAIN SHELTERS, SAFETY FENCES, CONCRETE BENCHES, TEMPORARY BENCHES (WATCHMEN BENCHES), PRACTICE NET, ELECTRICAL POLE AND WATER COOLER BOULDER ARE IMMOVABLE OBSTRUCTIONS. RULE 24-2A APPLIES PLAYER MUST TAKE RELIEF UNDER RULE 24-2B. (SEE EXC. TO RULE 24-2B)